
Black Curved Glass Chimney Extractor

LAM2504



User & Installation Guide

LAMONA
Exclusive to Howdens Joinery Co.

Dear Customer,

Congratulations on your choice of a LAMONA domestic appliance which has been designed to give you excellent service.

The user manual will help you use your product quickly and safely.

- Please read this user manual before installing and using the product.
- Always follow the safety instructions.
- Keep this user manual within easy reach for future reference.
- Please read any other documents supplied with the product.

Explanation of symbols

Throughout this user manual the following symbols are used:



Important information or useful tips about usage.



Warning for possible hazards to health and property.



Warning possibility of electric shock.



This product's packaging material is recyclable. Help recycle it and protect the environment by dropping it off in the municipal receptacles provided for this purpose. Your product also contains a great amount of recyclable material. It is marked with this label to indicate the used appliances that should not be mixed with other waste. This way, the appliance recycling organised by your manufacturer will be done under the best possible conditions, in compliance with European Directive 2002/96/EC on Waste Electrical and Electronic Equipment. Contact your town hall or your retailer for the used appliance collection points closest to your home. We thank you doing your part to protect the environment.


Index

Before Using The Extractor	04
Safety	04
General	04
Safety for Children	05
Safety When Working With Electricity	05
General Information and Operation	06
Extractor Layout	06
Control Panel Layout	06
Care and maintenance	07
General Cleaning	07
Grease Filters	07
Carbon Filters	08
Replacing the Lamps	08
Installation	09
Methods of Extraction	09
Extraction Via Ducting	09
Extraction Via Recirculation	09
Parts Identification	10
Hanging Your Extractor	11
Decorative Chimney Fitting	12
Electrical Connections	13
Technical Specification	14
Troubleshooting	14
Your Guarantee	15

Before Using the Extractor

- Make sure that you have removed all packaging, wrappings, stickers and from the Extractor
- It is recommended that you clean the extractor's surface before using for the time.

Safety

 This appliance is for domestic extraction purposes only. It must not be used for other purposes. Commercial use will void the guarantee.

The manufacturer shall not be liable for any damage caused by improper use, installation or handling errors

General

This product is not intended to be used by persons with physical, sensory or mental disorders or unlearned or inexperienced people (including children) unless they are supervised by a person who will be responsible for their safety or who will instruct them accordingly in the use of the product.

- Connect the product to an earthed outlet protected by a fuse of suitable capacity as stated in the "Technical Specifications" table. Our company shall not be liable for any problems arising due to the product not being earthed in accordance with local regulations
- Do not operate the product if the power cable is damaged. Call a qualified service agent.
- Do not carry out repairs or modifications on the product. However, you may remedy some of the problems that do not require any repairs or modifications. See "Troubleshooting", at the rear of this manual.
- Never wash down the product with excessive water, as there is a risk of electric shock
- Never use the product when your judgment or coordination is impaired by the use of alcohol and/or drugs.

- Product must be disconnected from the mains during installation, maintenance, cleaning and repair procedures.
- Repair procedures must always be performed by qualified service agents. The manufacturer shall not be held responsible for damages arising from procedures carried out by unauthorised persons, which may also void the guarantee.
- Keep all ventilation slots clear of obstructions, as this may cause premature failure of the appliance
- Do not trap the mains cable and do not route it over surfaces which may become hot. The cable insulation may melt and cause a fire as a result of a short circuit.
- Make sure that the product function buttons are switched off after every use.
- Product must be installed by a qualified person in accordance with the regulations in force otherwise, the guarantee may become void.
- The hood must be installed in accordance with the installation instructions and all measurements followed

If the cooker hood is installed for use above gas appliance then the provision for ventilation must be in accordance with the Gas Safety Codes of Practice BS.6172, BS.5440 & BS.6891 (Natural Gas) and BS.5482 (LP Gas) 1994, the Gas Safety (Installation & Use) Regulations, the Building Regulations issued by the Department of the Environment, the Building Standards (Scotland) (Consolidated) Regulations issued by the Scottish Development Department

Do not set your cooker hood less than 700mm above your cooker

- When installed between adjoining wall cabinets, the cabinets must not overhang the hob.
- The edges of the cooker hood may be sharp - be mindful of this as you handle your appliance, especially during installation and cleaning

Do not clean behind the grease filter!

- If the room where the cooker hood is to be used contains a fuel burning appliance such as a central heating boiler then its flue must be of the sealed or balanced flue type.
- If other types of flue or appliances are fitted, ensure that there is an adequate supply of air in the room
- When the hood is being used in extraction mode, ensure that the ducting is fire retardant and that there are no bends greater than 90 degrees as this will reduce the efficiency of the hood
- Ensure the ducting for the extractor mode has the same diameter as the outlet hole all the way through.
- Always put lids on pans and ensure that pans are always on hobs when burners are lit.
- Remember that when in extraction mode, your cooker hood is removing air from your room. Ensure that proper ventilation measures are being observed.

Fire Safety

When installing the hood, ensure that the following recommended distances are observed between the highest point on the hob top (including the burners) and the bottom of the cooker hood:

Electric Cookers: 700 mm
Gas Cookers: 700 mm
Coal / Oil Cookers: 800 mm

- Never flambé cook under this cooker hood.
- Dirty cooking oil is an even greater fire risk
- Do not install above a cooker with a high level grill.

Safety for Children

- Electrical products can be dangerous to children. Keep children away from the product when it is operating and do not allow them to play with or near the product.
- The packaging materials will be dangerous for children. Keep the packaging materials away from children. Please dispose of all parts of the packaging according to the environmental standards

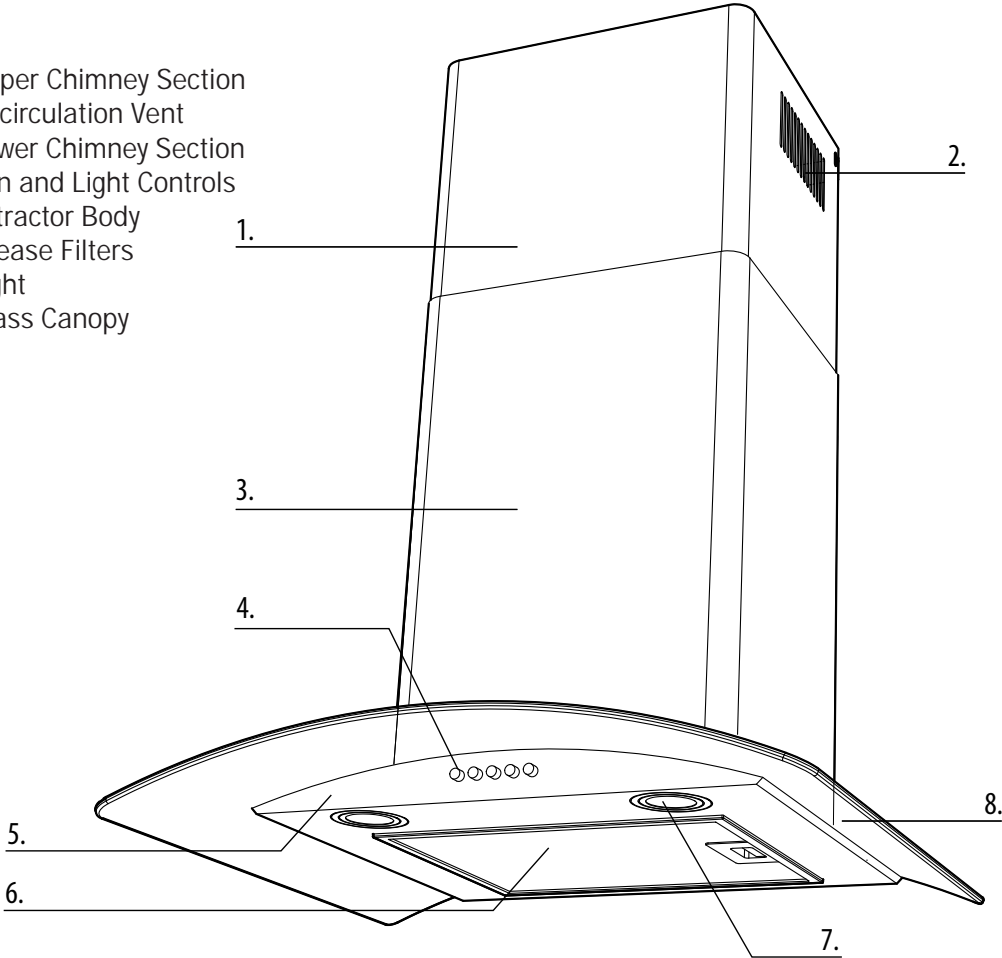
Safety When Working with Electricity

- In case of any damage, switch off the product and disconnect it from the mains. To do this, turn off the fuse at the fuse box.
- Make sure that the fuse rating is compatible with the product.

General Information & Operation

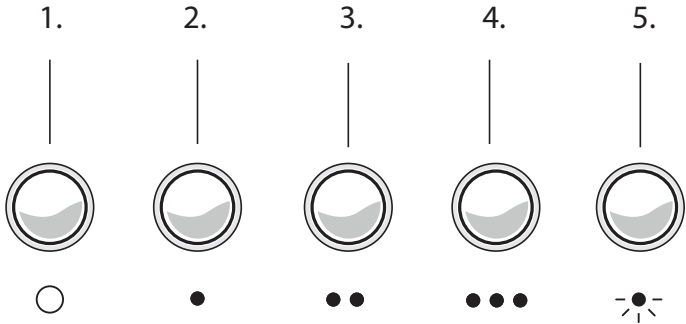
Extractor layout

- 1. Upper Chimney Section
- 2. Recirculation Vent
- 3. Lower Chimney Section
- 4. Fan and Light Controls
- 5. Extractor Body
- 6. Grease Filters
- 7. Light
- 8. Glass Canopy



Control Panel Layout

- 1. Extractor Power Off
- 2. Extractor Power Level 1
- 3. Extractor Power Level 2
- 4. Extractor Power Level 3
- 5. Extractor Light On/Off



Care and Maintenance

⚠ Before cleaning or attempting any type of maintenance, always make sure that the electricity supply is disconnected.

⚠ To avoid the possibility of fire, adhere strictly to all of the recommendations included in this booklet, paying particular attention to the grease filters to ensure grease deposits do not build up.

The manufacturer declines all liability in cases where the instructions for the appropriate installation, maintenance and use of the extractor hood are not observed.

If the power cable is cut or damaged in any way, disconnect the extractor from the electricity supply and call the service number on the rear cover of this booklet or a suitably qualified repairer.

General Cleaning

Wipe the external surfaces of the appliance regularly using a damp cloth and mild detergent. NEVER use abrasive cleaners

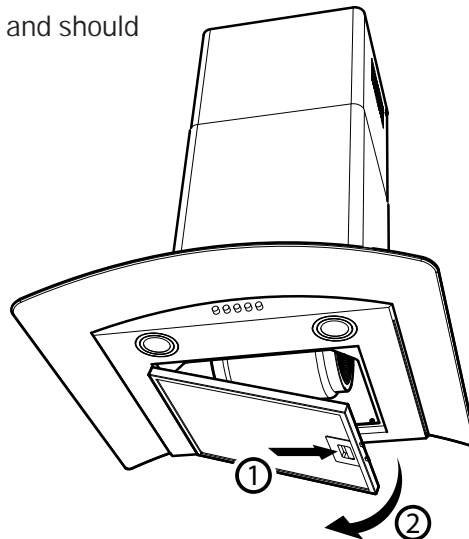
Do not use a steam cleaner to clean the hood; electrical components could be damaged or short-circuit as a result

The Grease Filters

The grease filter is of a metallic material and should be washed using a neutral detergent.

To Remove the grease filters:

- 1 Push latch
- 2 Lower filter to remove.



Clean the filter every month; an excessive build-up of grease can become a fire hazard. The filter collects grease, smoke and dust... so the filter directly affects the efficiency of the cooker hood. If it's not cleaned, the grease residue (potentially flammable) will saturate on the filter.

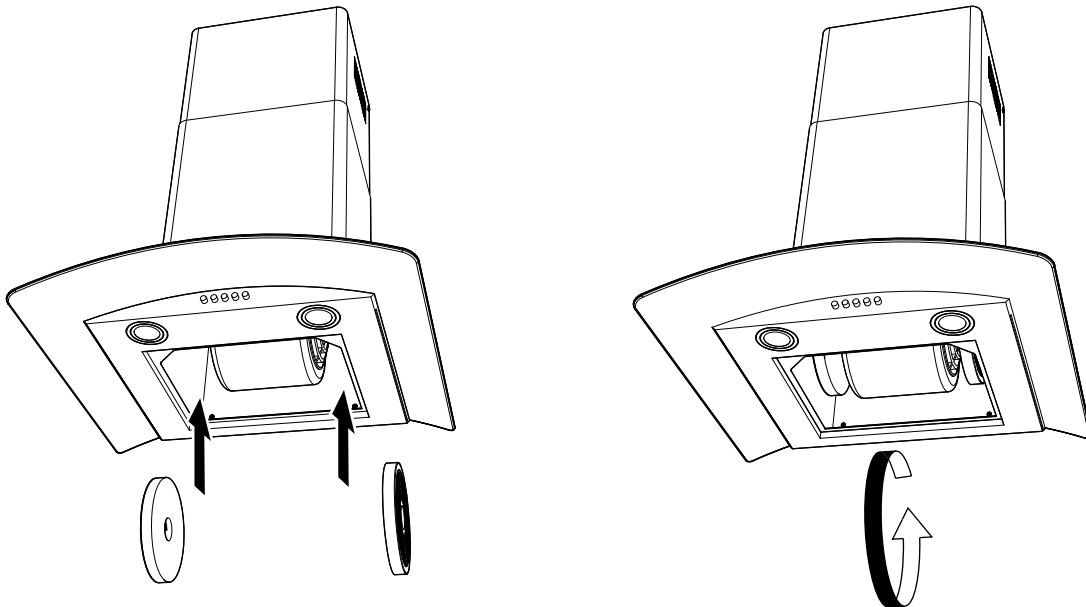
Remove the filter as shown in the Installation section. Clean it with a soft nylon brush in a mild solution of warm water and a small amount of washing up liquid. Washing up liquid alone should not be used. After cleaning, allow the filter to drain and the dry thoroughly.

The grease filter may also be dishwasher cleaned; using a 60 or 65 degree C programme, with the filter upright (short sides upright) in the lower basket.. Please be aware some dishwasher cleaning agents can be permanently discolour the filter, though this will not affect its performance.

The Carbon Filters

Carbon filters have a limited life. We advise you to change them when there is a noticeable drop in performance. The intervals between changing the filter will depend entirely upon the amount of cooking you do, but on average they will last about 3 - 6 months. Please quote the part reference number HJA2906 (pack of 2) when re-ordering.

- To gain access to the carbon filters, first of all remove the grease filters as above.
- Remove the old filters and install new charcoal filters by turning them gently
- Make sure the filter is securely locked. Otherwise, it could loosen and cause damage to the unit
- When the activated carbon filters are attached, the suction power will be lowered.
- The charcoal cannot be washed or recycled.



Replacing the Lamps

The extractor hood is fitted with x2 LED lamp units that must only be replaced by a suitably qualified person .

The lights are powered by an electronic driver device and neither part is repairable . We recommend that you call the Service Line if light replacement is needed.

⚠ Lamp replacement is not covered by your guarantee

The lamps on this appliance should only be used during operation of the cooker hood. They should not be left on permanently and used as a main lighting source. The extractor is for domestic use only.

Installation

We recommend you turn the extractor on 5-10 minutes before cooking for maximum efficiency of operation.

Methods of Extraction

The very best method of clearing the kitchen of unwanted odours is by connecting the appliance to an exhaust duct and venting to the outside atmosphere via the ceiling or an exterior wall. (Suitable ducting kits may be purchased from the depot where you bought the extractor.) You do not need charcoal filters when using the external ducting mode.

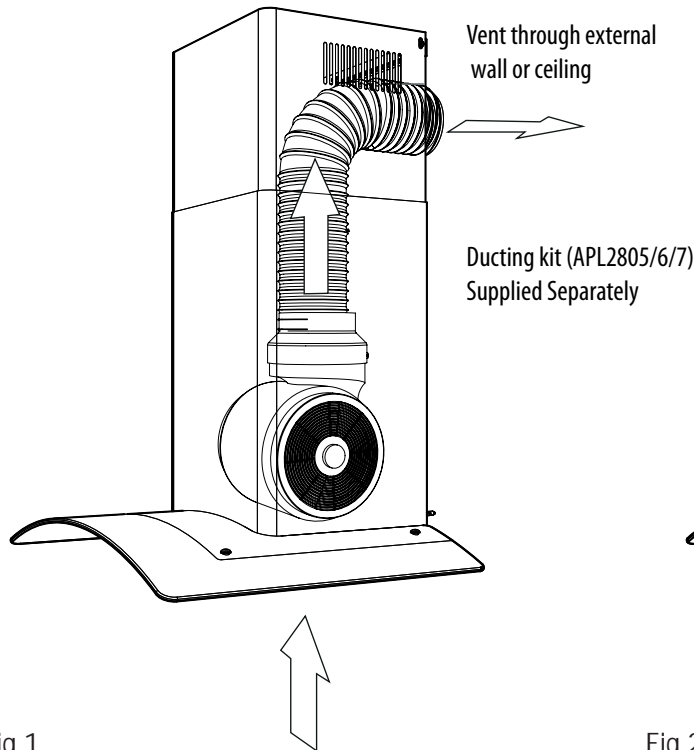


Fig 1.
Ducting mode
(No charcoal filters required)

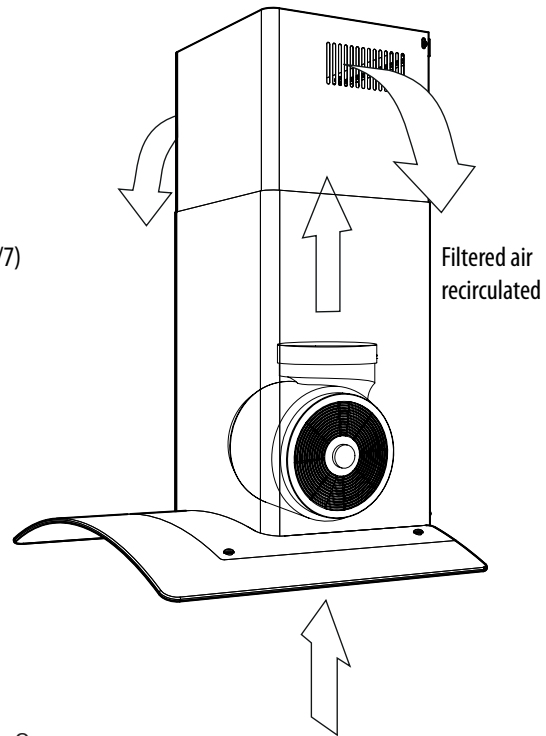


Fig 2.
Recirculation mode
(Charcoal filters HJA2906 required)

Extraction Via Ducting

Never use the hood in areas where devices with exhaust pipes connected to the outside are already operating unless perfect ventilation can be guaranteed.

- Connect the external ducting kit to the outlet of the extractor.

i Charcoal filters are not required if the extractor is to be ducted out.

Extraction Via Recirculation

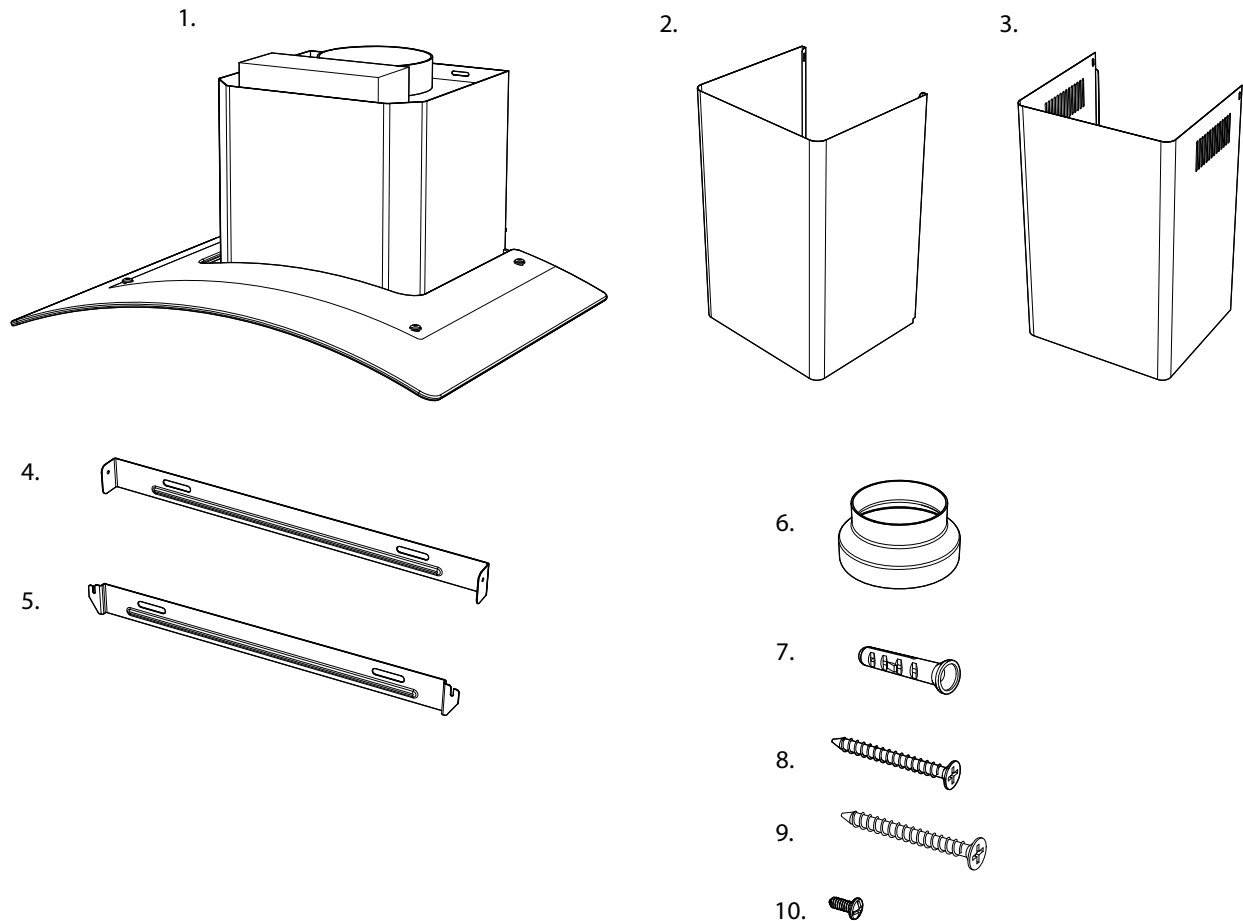
For extraction via recirculation, attach 2 charcoal filters to the sides of the motor inside the hood. These can be ordered separately quoting part reference HJA2906

⚡ Before attempting to change or fit the charcoal filters ensure power to the extractor is switched off.

- Remove the grease filters
- Align the carbon filters over the pins located on either side of the fan motor.
- Turn the carbon gently, until you feel them click into position.
- Replace the grease filters before the power supply it turned back on.

PARTS IDENTIFICATION

On opening your box you will find the extractor body, a two-piece telescopic decorative chimney, a bag of wall fixings and screws, two fixing brackets, a ducting connector and reducer.



1. Main Extractor Body
2. Lower Chimney
3. Upper Chimney
4. Upper Fixing Bracket
5. Lower Chimney Bracket

6. Outlet Reducer
7. Rawl Plug
8. 30mm Screw x 4
9. 38mm Screw x 4
10. 10mm Screw x 4

Hanging Your Extractor

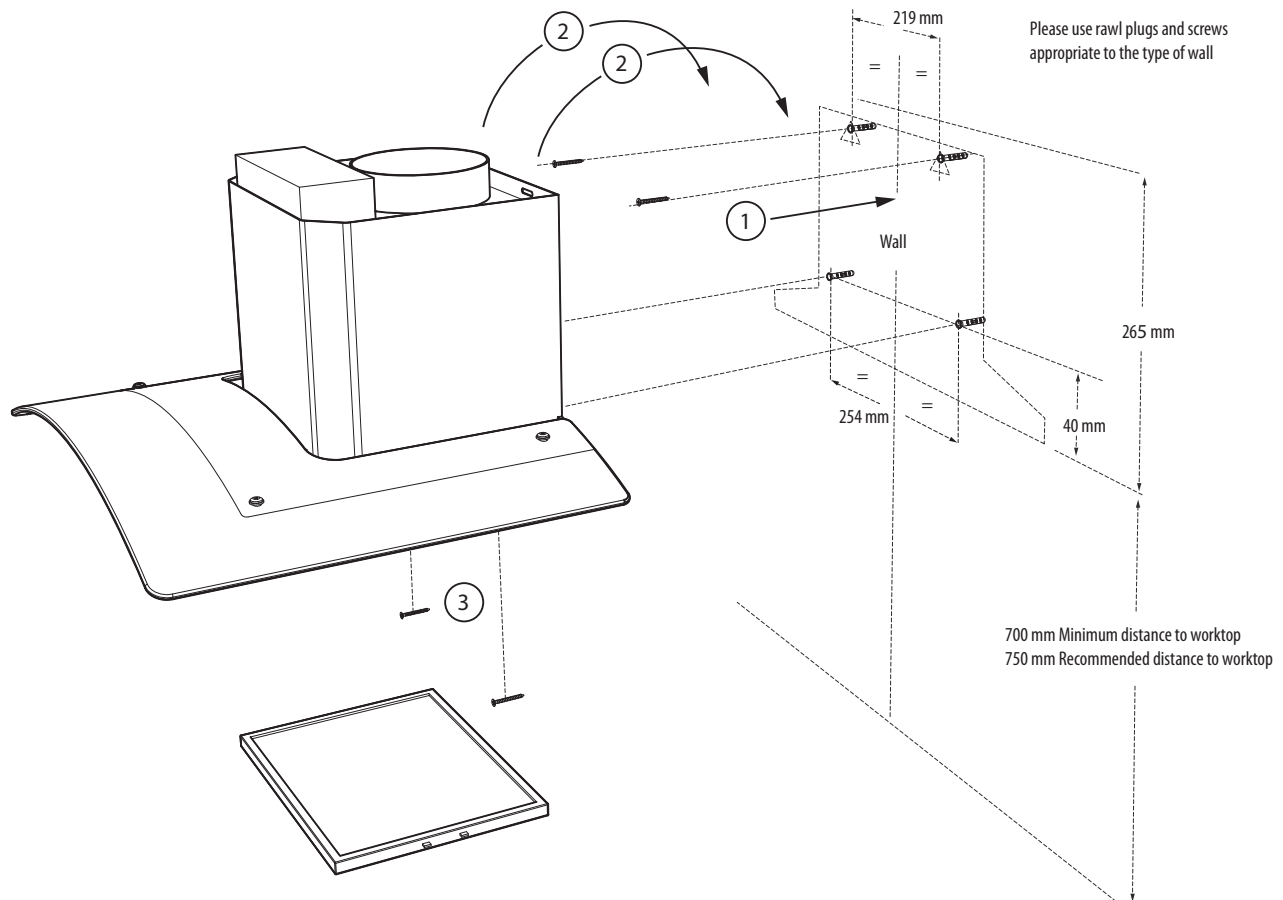
⚠ This instruction must be strictly adhered to. Failure to comply could result in overheating and serious damage to your appliance. It is recommended that the installation is carried out by two people.

⚡ Before drilling or chiselling the ceiling or wall, check for pipes and power cables.

- If ducting externally ensure the ducting tube is kept as short as possible and with the minimum of bends to permit the smoothest airflow. (Maximum length 3 metres.). Ducted air must not be discharged into a flue, which is used for exhausting fumes from appliances supplied with energy other than electricity. (E.g. gas boilers)
- Ensure the requirements of the local authorities are adhered to concerning the discharge of exhaust air.
- Ensure adequate room ventilation is provided when the extractor is used in the same room as appliances supplied with energy other than electricity.
- Never duct into a hot air flow such as a central heating duct

⚠ We strongly advise that all exterior outlets be fitted with a non return flap or louvred slatting.

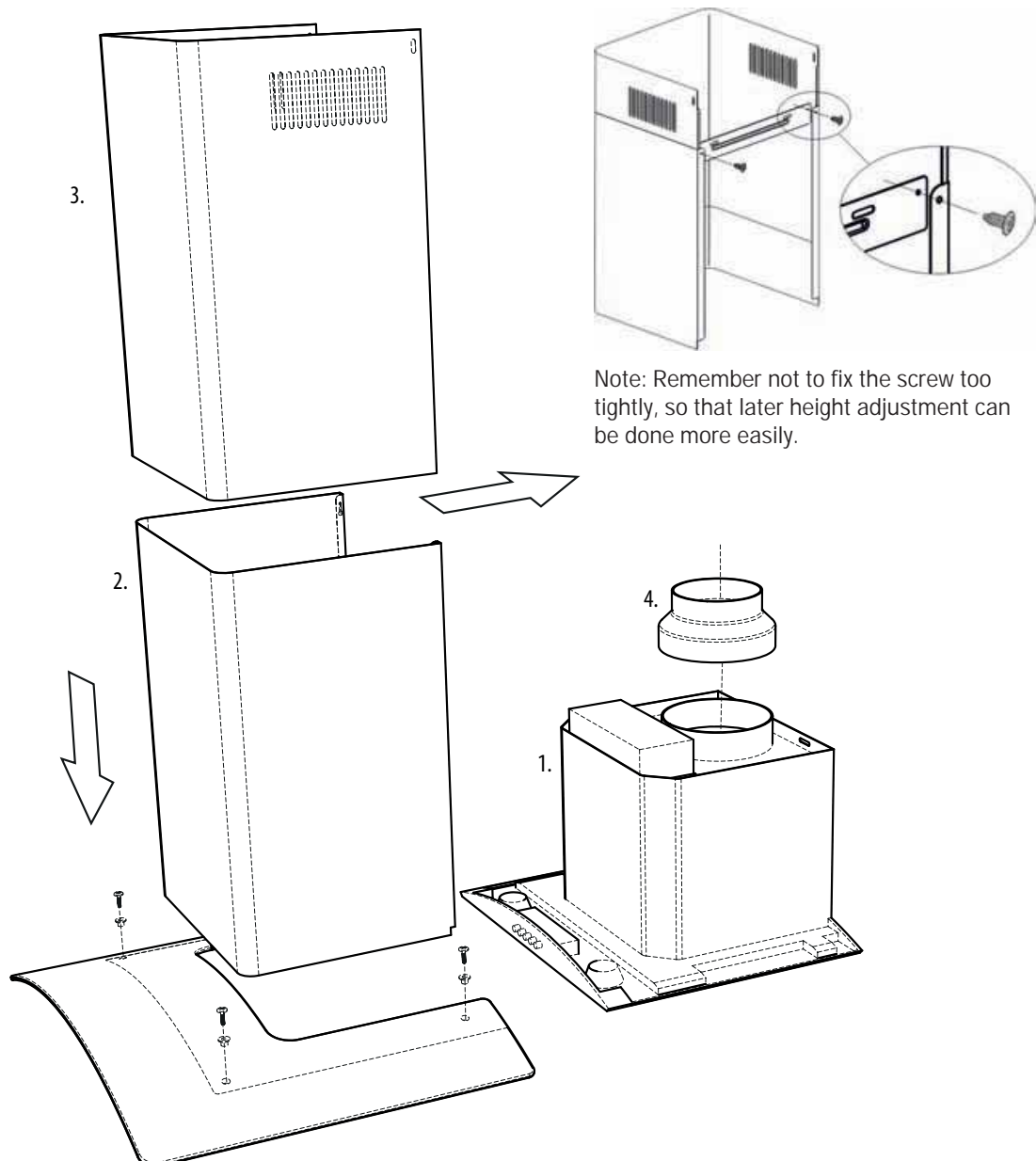
1. Remove the grease filters before trying to install.
2. The recommended fixing height for the hood is 750mm above the worktop. This can be reduced to a minimum of 700mm if required.
3. Mark and drill the holes required to mount the extractor body.
4. The principal securing points are the 2 key holes; fix these first.
5. With the help of an assistant, hang the extractor body on the screws, level and secure in position tightening all screws .



Decorative Chimney Fitting

1. Connect the extractor to the electricity supply (see electrical connections page). We recommend an isolation switch that is accessible after installation.
2. The outlet reducer may be required depending on your ducting kit (supplied separately).
3. Fit the appropriate ducting kit if venting externally.
4. Rest the chimney sections on the main extractor body and extend the upper section to the ceiling
5. Use the extended chimney sections to mark-up the appropriate position of the bracket
6. Remove the chimney sections, drill and secure upper fixing bracket with appropriate fixings.
7. Resit the chimney sections on to the extractor body, hooking the lower section on to bracket and secure to the wall using the screws provided

DO NOT: Operate the extractor without the grease filters in position.



Electrical Connections

⚠ IMPORTANT: Ensure that the electricity supply is switched off before connecting.


Your appliance must be connected to fixed wiring via the use of a double pole switched fused spur outlet with at least 3mm contact separation, The isolation switch must be accessible after installation. (See technical data for fuse rating).

We strongly recommend the appliance is connected by a qualified electrician

⚠ The terminology DOUBLE POLE -/+ means that both the live and neutral supplies are switched and disconnected at the same time.
The terminations labelled SUPPLY are the connections for the internal house wiring and the terminations labelled LOAD are for connection to the appliance.

IMPORTANT: The wires in the mains lead are coloured in accordance with the following code:-
Blue.....Neutral
Brown.....Live
Green/ Yellow.....Earth

As the colours of the wires in the mains lead of this appliance may not correspond with the coloured markings identifying the terminals in your spur box, proceed as follows;

The wire which is coloured blue must be connected to the terminal which is marked with the letter 'N' or coloured BLACK. The wire which is coloured brown must be connected to the terminal which is marked with the letter 'L' or coloured RED. The wire which is coloured Green and Yellow must be connected to the terminal which is marked with the letter 'E' or  Symbol

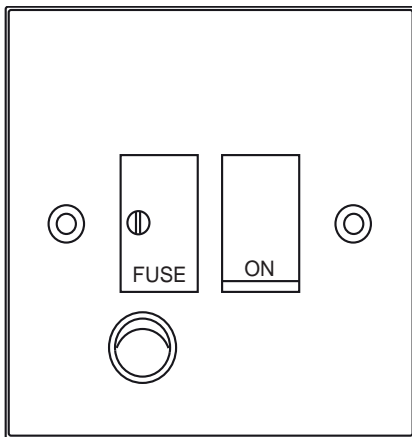


Fig 3.

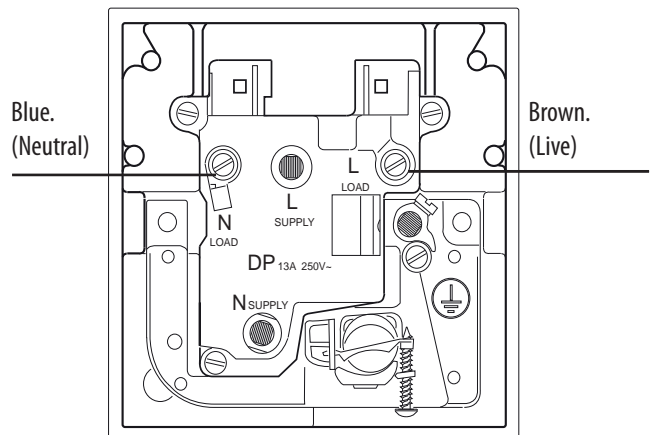


Fig 4.

Troubleshooting

TROUBLESHOOTING GUIDE

Symptoms	Possible Cause	Solutions
Lamps fail to operate?	<ul style="list-style-type: none"> A replacement lamp is probably necessary (Remember that the lamps are not covered by the guarantee.) 	Contact Service Line The extractor lamps may become hot; therefore ensure the bulb has cooled sufficiently before any cleaning.
	<ul style="list-style-type: none"> Power is cut. 	Check if there is power. Check the fuses in the fuse box. If necessary, replace or reset the fuses.
The motor is on, but fan does not seem to be as efficient as usual?	<ul style="list-style-type: none"> Clogged filters can reduce the product's efficiency. Check the grease and charcoal filters (if fitted) also ensure any venting is not obstructed? 	Clean the grease filters with warm water and mild detergent, and/or replace any charcoal filters
The extractor works normally but smells linger?	<ul style="list-style-type: none"> Clogged filters can reduce the product's efficiency and may cause unwanted smells. 	Clean the grease filters with warm water and mild detergent, and/or replace any charcoal filters.
Product does not operate?	<ul style="list-style-type: none"> The mains fuse maybe defective or has tripped 	Check fuses in the fuse box. If necessary, replace or reset them.
	<ul style="list-style-type: none"> Product is not connected properly. 	Check all power connections.
	<ul style="list-style-type: none"> Remote control not working. 	Check / Change battery.



If you cannot eliminate the problem after following the instructions in this section, consult your depot or the Authorized Service Agent. Never try to repair a nonfunctional product yourself.

Technical specification

TECHNICAL INFORMATION

General

Total power consumption	101 W
Fuse	3 A
Voltage /Frequency	220-240 V ~ 50 Hz
Cable type / section	0.75mm ² , 3 core or equivalent
Cable length	max. 1.5m
Lamps	LED

Your Guarantee

Product Guarantee Details (UK only)

Your appliance has the benefit of a comprehensive manufacturer's guarantee which covers the cost of breakdown repairs. (Details of which are shown on your Proof of Purchase Document).

- Any claim during the period of the guarantee (MUST BE ACCOMPANIED BY THE PROOF OF PURCHASE)
- The product must be correctly installed and operated in accordance with the manufacturer's instructions and used for normal domestic purposes.
- This guarantee does not cover accidental damage, misuse or alternations which are likely to affect the product.
- The guarantee is invalid if the product is tampered with, or repaired by any unauthorised person.

(The guarantee in no way affects your statutory or legal rights)

What to do if you need to report a problem-

Please ensure you have ready:

- **The product's model & serial numbers**
- **Howdens Proof of Purchase document**
- **Your full contact details**




Call the Service Line on 0845 00 60 006

Product Information	
Commission Regulation (EU) No 66/2014	
LAMONA	
Model	LAM2504
AEC	61.5 kWh/a
f	1.8
FDE _{hood}	6.60%
EEl _{hood}	92.2
Q _{BEP}	283.8 m ³ /h
P _{BEP}	77 Pa
Q _{max}	445.2 m ³ /h
W _{BEP}	92.5 W
W _L	1.0 W
E _{middle}	64 lux
P _s	-
P _o	0 W
L _{WA}	56 dB

In order to reduce the environmental impact (e.g. energy use) of the cooking process, please be sure that your product is installed according to the user manual. Ensure adequate ventilation and keep any duct work as short and as direct as possible.

We suggest switching the motor off within 10 minutes after finishing cooking.

 If supplied, please stick your self adhesive product rating plate here, or make a note of the product serial number below in the box below for future reference.

Serial Number :

